

Montgomery Cranes 972-790-2400

# GROVE®

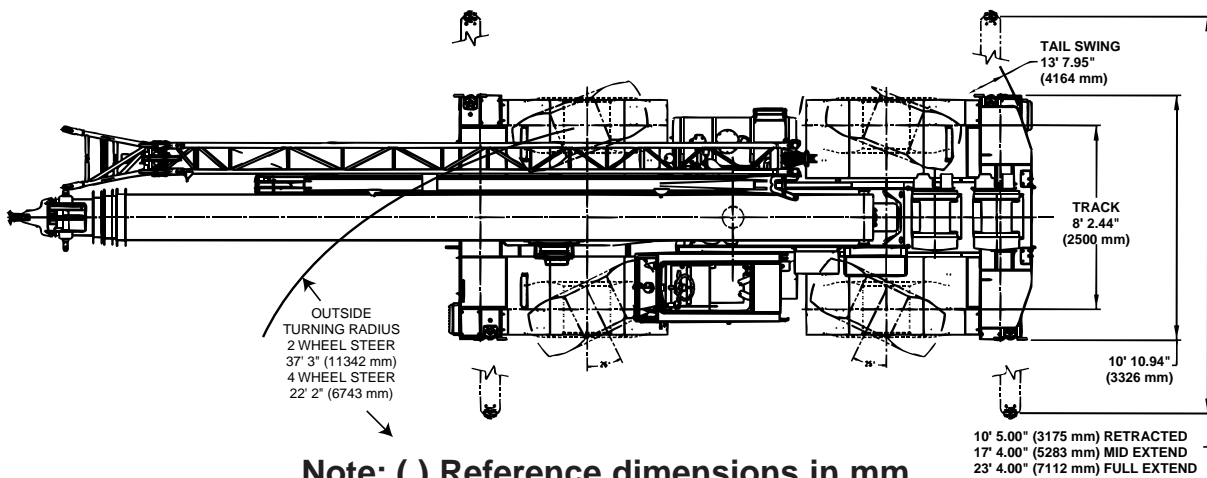
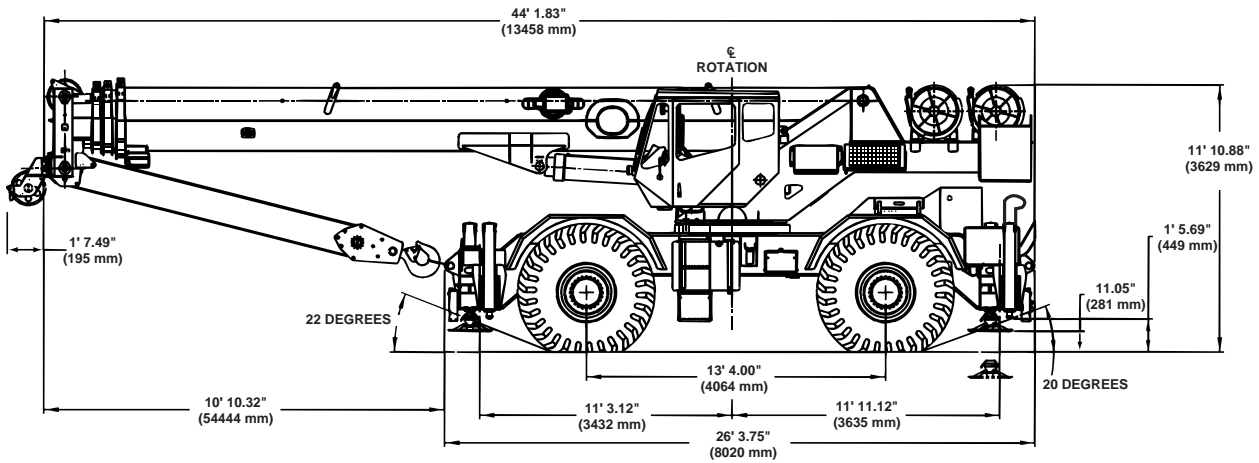
## **RT700E SERIES**



### **ROUGH TERRAIN HYDRAULIC CRANE**



# Dimensions



Note: ( ) Reference dimensions in mm

## RT700E Weights

	GVW		Front		Rear	
	lbs	kg	lbs	kg	lbs	kg
<b>RT760E Basic Machine</b>	83,683	37,959	40,130	18,203	43,553	19,756
<b>ADD:</b> 33 - 56 ft Bi-fold swingaway	2,340	1,061	3,686	1,672	-1,346	-611
<b>ADD:</b> 33 ft swingaway	1,640	744	2,880	1,306	-1,240	-562
<b>ADD:</b> Aux Hoist w/rope	625	284	-230	-104	855	388
<b>ADD:</b> Aux boom nose	130	59	374	170	-244	-111
<b>ADD:</b> 60 ton (55mt) 5-sheave block (stowed in trough)	1,250	567	1,250	567	0	0
<b>ADD:</b> 50 ton (45mt) 3-sheave block (stowed in trough)	1,000	454	1,000	454	0	0
<b>ADD:</b> 8.3 ton (7.5mt) headache ball (hanging from aux nose)	347	157	565	256	-218	-99
<b>Remove:</b> counterweight	-12,150	-5,511	4,784	2,170	-16,934	-7,681

# Working Range



36 - 110 ft.  
(11 - 33.5 m)



Bi-fold Swingaway

33 - 56 ft.  
(10.1 - 17.1 m)



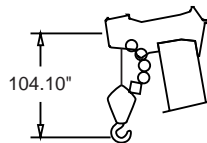
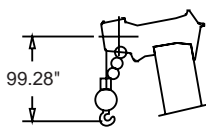
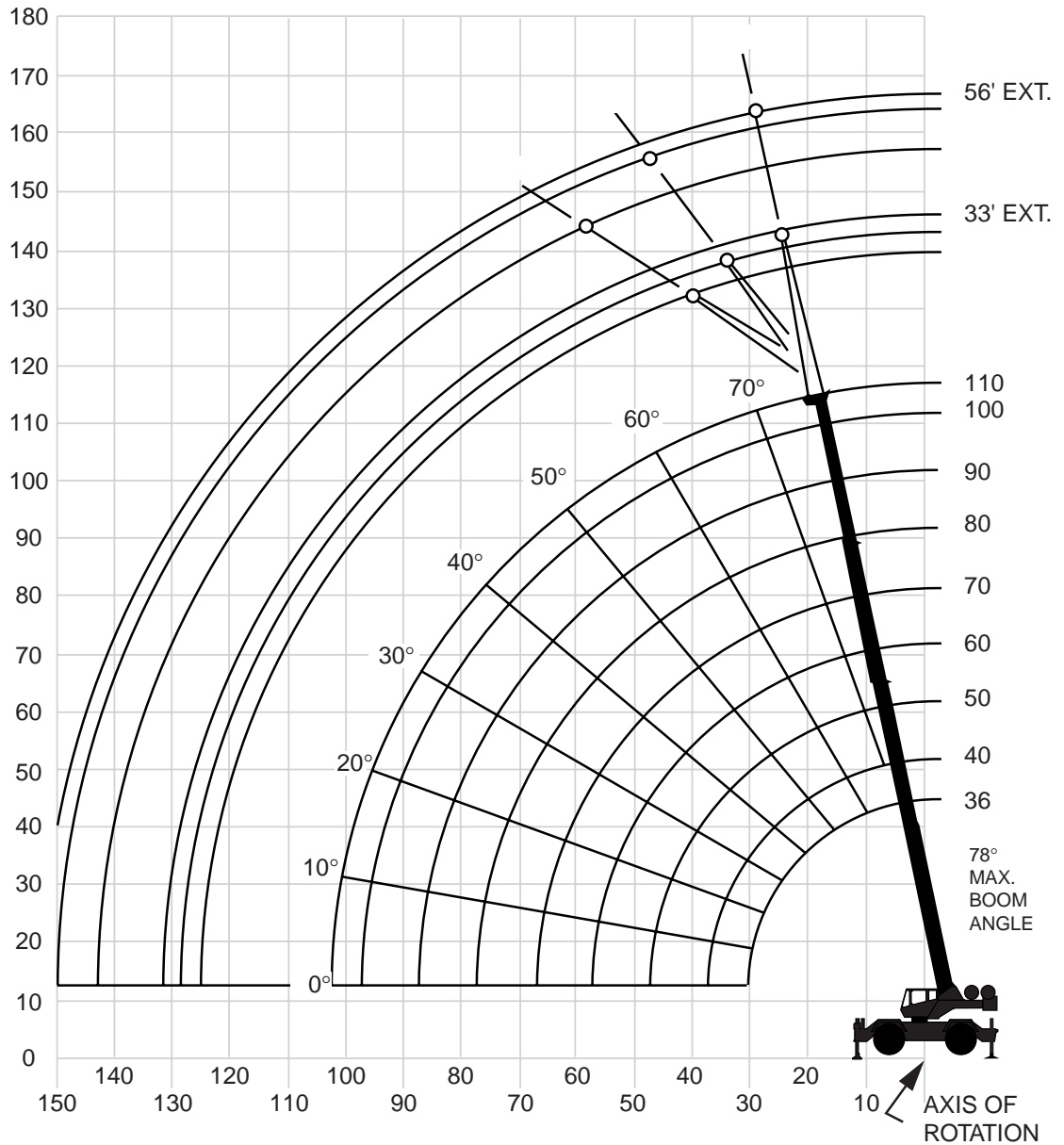
12,150 lbs.  
(5511 kg)



100%



360°



DIMENSIONS ARE FOR LARGEST GROVE FURNISHED HOOK BLOCK AND HEADACHE BALL, WITH ANTI-TWO BLOCK ACTIVATED.

# Superstructure Specifications

## Boom

36 ft. - 110 ft. (11 m - 33.5 m) four-section, full-power sequenced synchronized boom.  
Maximum tip height: 119 ft. (36.4 m).

### \*Optional Fixed Swingaway Extension

33 ft. (10.1 m) offsettable lattice swingaway extension. Offsettable at 0°, 25° and 45°. Stows alongside base boom section. Maximum tip height: 150 ft. (45.8 m).

### \*Optional Bi-Fold Swingaway Extension

33 ft. - 56 ft. (10.1 m - 17.1 m) bi-fold lattice swingaway extension. Offsettable at 0°, 25° and 45°. Stows alongside base boom section. Maximum tip height: 174.5 ft. (53.2 m).

### \*Optional 20' Swingaway Extension Insert

Installs between boom nose and bi-fold extension, non-stowable. Maximum tip height: 194 ft. (59.1 m).

## Boom Nose

Three nylatron sheaves (four with 60-ton rating) mounted on heavy-duty tapered roller bearings with removable pin-type rope guards. (Four and five sheaves respectively with optional 18 x 19 wire rope.) Quick-reeve type boom nose.

\*Optional removable auxiliary boom nose with removable pin type rope guard.

## Boom Elevation

One double-acting hydraulic cylinder with integral holding valve provides elevation from -3° to 78°.

## Load Moment & Anti-Two Block System

Standard "Graphic Display" load moment and anti-two block system with audio-visual warning and control lever lockout. These systems provide electronic display of boom angle, length, radius, tip height, relative load moment, maximum permissible load, load indication and warning of impending two-block condition. The standard Work Area Definition System allows the operator to pre-select and define safe working areas. If the crane approaches the pre-set limits, audio-visual warnings aid the operator in avoiding job-site obstructions.

## Cab

Full-vision, all-steel fabricated with acoustical lining and tinted safety glass throughout. Deluxe seat incorporates armrest-mounted hydraulic single-axis controllers. Dash panel incorporates gauges for all engine functions. Other standard features include: hot water heater, cab circulating air fan, sliding side and rear windows, sliding skylight with electric wiper and sunscreen, electric windshield wash/wipe, fire extinguisher and seat belt.

## Swing

Planetary swing with foot-applied multi-disc brake. Spring applied, hydraulically-released swing brake and plunger-type, one position, mechanical house lock operated from cab. \*Optional 360° mechanical swing lock. Maximum speed: 2.5 RPM.

## Counterweight

12,150 lbs. (5511 kg) pinned to superstructure.

## Hydraulic System

Three main gear pumps with a combined capacity of 103 GPM (391 L/min), 135 GPM (511 L/min) with optional air conditioning.  
Maximum operating pressure: 4000 psi (27.6 MPa).  
Two individual post pressure compensated valve banks.

Return line type filter with full flow by-pass protection and service indicator. Replaceable cartridge with micron filtration rating of 5/12/16. 132 gallon (500 L) reservoir. Integral oil cooler. System pressure test ports.

## Hoist Specifications

### Main and Auxiliary Hoist: Grove Model H030G-16G

Planetary reduction with automatic spring applied multi-disc brake. Grooved drum. Electronic hoist drum rotation indicator and hoist drum cable followers.

Maximum Single Line Pull: 18,180 lbs  
(8 246 kg)

Maximum Single Line Speed: 588 FPM  
(179 m/min)

Maximum Permissible Line Pull:  
16,800 lbs. (7 620 kg) w/standard 6 x 37 class rope  
12,920 lbs. (5 879 kg) w/optional 18 x 19 class rope

Rope Diameter: 3/4 in. (19 mm)

Rope Length: 500 ft. (152 m)  
\*Optional 550 ft. (168 m) 18 x 19 class rope

Rope Type:  
6 x 36 WS non-rotation resistant  
\*Optional 18 x 19 class rotation resistant

Maximum Rope Stowage: 694 ft. (211 m)

### Optional H030G-26G Main Hoist

Rope: 650' (198 m)  
6 x 37 class rope  
Stowage: 1193 ft. (355 m)

# Carrier Specifications

## Chassis

Box section frame fabricated from high-strength, low alloy steel. Integral outrigger housings and front/rear towing and tie down lugs.

## Outrigger System

Four hydraulic telescoping single-stage double box beam outriggers with inverted jacks and integral holding valves. Three position settings, 100%, 50% and fully retracted. All steel fabricated, quick-release type round outrigger floats, 24 in. (610 mm) diameter. Maximum outrigger pad load: 80,700 lbs (36,606 kg).

## Outrigger Controls

Controls and crane level indicator located in cab.

## Engine

Cummins 6CT 8.3L diesel, six cylinders, turbocharged, 215 bhp (160 kW) (Gross) @ 2,500 rpm. Maximum torque: 610 ft. lbs. (827 N-m) @ 1,500 RPM.

## Fuel Tank Capacity

72 gallons (273 L)

## Transmission

Full powershift with 6 forward and 6 reverse speeds (3 speeds hi and 3 speeds low). Front axle disconnect for 4 x 2 travel.

## Electrical System

Two 12-volt maintenance free batteries. 12-volt starting and lighting, circuit breakers.

## Drive

4 x 4

## Steering

Fully independent power steering:

Front: Full hydraulic, steering wheel controlled.

Rear: Full hydraulic, switch controlled.

Provides infinite variations of 4 main steering modes: front only, rear only, crab and coordinated.

Rear steer centered indicating light.

4 wheel turning radius - 22 ft. 2 in. (6.7 m).

## Axles

Front: Drive/steer with differential and planetary reduction hubs rigid-mounted to frame.

Rear: Drive/steer with differential and planetary reduction hubs pivot-mounted to frame.

## Oscillation Lockouts

Automatic full hydraulic lockouts on rear axle permit 8" (20.3 cm) oscillation only with boom centered over the front.

## Brakes

Full hydraulic split circuit brakes operating on all wheels. Spring-applied, hydraulically released axle-mounted parking brake.

## Tires

29.5 x 25 - 28PR bias earthmover type.

\*29.5R25 radial earthmover type.

## Lights

Full lighting package including turn indicators, head, tail, brake and hazard warning lights.

## Maximum Speed

25 MPH (40 km/h).

## Gradeability (Theoretical)

75% (Based on 89,000 lbs. [40 370 kg] GVW) 29.5 x 25 tires, pumps engaged, 110 ft. (33.6 m) boom, and bi-fold extension.

## Miscellaneous Standard Equipment

Full width steel fenders, dual rear view mirrors, hookblock tiedown, electronic back-up alarm, light package, front stowage well, tachometer, rear wheel position indicator, 36,000 BTU hot water heater, hoist mirrors, engine distress A/V warning system. Auxiliary hoist control valve arrangement (less hoist).

## \*Optional Equipment

\*AUXILIARY HOIST PACKAGE (includes Model HO30G-16G auxiliary hoist with electronic hoist drum rotation indicator, hoist drum cable follower, 500 ft. (152 m) of 3/4 in.(19 mm) 18 X 19 class wire rope, auxiliary single sheave boom nose, and non-swivel headache ball)

\*ENGINE COLD WEATHER PACKAGE (includes ether injection cold start aid [less canister], and immersion type engine block heater, 120 V, 1500 watt)

\*AIR CONDITIONING PACKAGE (includes hydraulic driven 28,500 BTU air conditioning)

\*POPULAR OPTION PACKAGE (includes battery disconnect switch, and cab-controlled cross axle differential locks front and rear)

\*AUXILIARY LIGHTING PACKAGE (includes cab mounted, 360° rotation spotlight, cab mounted amber flashing light, and dual base boom mounted floodlights)

\*CONVENIENCE PACKAGE (includes in cab LMI light bar)

\*"CE" Mark Conformance (includes European boom, battery disconnect switch, 3rd wrap indicator, electric emergency auxiliary steering, dual axis joystick controllers)

\*Cross axle differential lock

\*Full-length aluminum decking

\*Manual pump disconnect

\*Spare wheel assembly

\*Pintle hook - rear

\*360 degree NYC style positive swinglock

\*Rubber mat for stowage trough

\*PAT datalogger

*\*Denotes optional equipment*

**RT750E MAIN BOOM RATED LIFTING CAPACITIES IN POUNDS**  
**36 FT. - 110 FT. BOOM**  
**ON OUTRIGGERS FULLY EXTENDED - 360°**

Radius in Feet	#0001								
	Main Boom Length in Feet								
	36	40	50	**60	70	80	90	100	110
10	100,000 (69)	84,400 (72)	80,200 (76)	*62,500 (78)					
12	100,000 (65.5)	84,400 (68.5)	80,200 (73.5)	62,500 (77)	*36,800 (78)				
15	85,400 (59.5)	82,700 (63.5)	80,200 (70)	61,000 (74)	36,800 (76.5)	*36,800 (78)	*31,000 (78)		
20	65,700 (49)	65,000 (55)	64,300 (63.5)	50,650 (69)	36,800 (72)	36,800 (75)	31,000 (77)	*29,100 (78)	*24,000 (78)
25	52,800 (36)	52,450 (45)	51,850 (56.5)	41,800 (63.5)	36,800 (68)	34,000 (71)	30,000 (73.5)	27,000 (76)	24,000 (77.5)
30		42,150 (31.5)	39,600 (48.5)	38,000 (57.5)	33,400 (63)	29,000 (67)	25,300 (70.5)	24,200 (72.5)	22,000 (75)
35			31,750 (40)	29,750 (51.5)	28,700 (58)	25,000 (63)	22,200 (67)	21,750 (69.5)	20,000 (72)
40			24,450 (28)	24,750 (45)	23,600 (53)	22,000 (59)	20,200 (63)	19,000 (66.5)	18,500 (69)
45				19,750 (37)	19,700 (47.5)	18,800 (54.5)	17,800 (59.5)	17,300 (63)	17,300 (66.5)
50				16,000 (26.5)	16,750 (41)	16,500 (49.5)	16,000 (55.5)	16,000 (60)	16,000 (63.5)
55					13,650 (33.5)	14,300 (44.5)	14,100 (51)	14,100 (56.5)	14,100 (60)
60					11,150 (24)	12,000 (38.5)	12,200 (47)	12,200 (52.5)	12,200 (57)
65						10,100 (31.5)	10,800 (42)	10,600 (48.5)	10,600 (53.5)
70						8,480 (22.5)	9,410 (36.5)	9,000 (44.5)	9,000 (50)
75							8,100 (30)	7,800 (40)	7,800 (46.5)
80							6,920 (21.5)	6,600 (34.5)	6,600 (42.5)
85								5,800 (28.5)	5,800 (38)
90								5,000 (20.5)	5,000 (33)
95									4,440 (27.5)
100									3,880 (19.5)
Minimum boom angle (°) for indicated length (no load)									0
Maximum boom length (ft.) at 0° boom angle (no load)									110

NOTE: ( ) Boom angles are in degrees.  
#LMI operating code. Refer to LMI manual for operating instructions.  
\*This capacity is based on maximum boom angle.

<b>Lifting Capacities at Zero Degree Boom Angle On Outriggers Fully Extended - 360°</b>									
Boom Angle	Main Boom Length in Feet								
	36	40	50	**60	70	80	90	100	110
0°	29,050 (29.8)	24,450 (34.2)	17,050 (44.2)	11,950 (54.6)	9,400 (64.2)	7,310 (74.2)	6,050 (84.2)	4,660 (94.2)	3,350 (104.2)

NOTE: ( ) Reference radii in feet. A6-829-101070  
\*\* Boom length is with inner-mid fully extended and outer-mid & fly fully retracted.

THIS CHART IS ONLY A GUIDE AND SHOULD NOT BE USED TO OPERATE THE CRANE. The individual crane's load chart, operating instructions and other instructional plates must be read and understood prior to operating the crane.

**RT760E MAIN BOOM RATED LIFTING CAPACITIES IN POUNDS**  
**36 FT. - 110 FT. BOOM**  
**ON OUTRIGGERS FULLY EXTENDED - 360°**

Radius in Feet	#0001								
	Main Boom Length in Feet								
	36	40	50	**60	70	80	90	100	110
10	120,000 (69)	84,400 (72)	80,200 (76)	*62,500 (78)					
12	100,000 (65.5)	84,400 (68.5)	80,200 (73.5)	62,500 (77)	*36,800 (78)				
15	85,400 (59.5)	82,700 (63.5)	80,200 (70)	61,000 (74)	36,800 (76.5)	*36,800 (78)	*31,000 (78)		
20	65,700 (49)	65,000 (55)	64,300 (63.5)	50,650 (69)	36,800 (72)	36,800 (75)	31,000 (77)	*29,100 (78)	*24,000 (78)
25	52,800 (36)	52,450 (45)	51,850 (56.5)	41,800 (63.5)	36,800 (68)	34,000 (71)	30,000 (73.5)	27,000 (76)	24,000 (77.5)
30		42,150 (31.5)	39,600 (48.5)	38,000 (57.5)	33,400 (63)	29,000 (67)	25,300 (70.5)	24,200 (72.5)	22,000 (75)
35			31,750 (40)	29,750 (51.5)	28,700 (58)	25,000 (63)	22,200 (67)	21,750 (69.5)	20,000 (72)
40			24,450 (28)	24,750 (45)	23,600 (53)	22,000 (59)	20,200 (63)	19,000 (66.5)	18,500 (69)
45				19,750 (37)	19,700 (47.5)	18,800 (54.5)	17,800 (59.5)	17,300 (63)	17,300 (66.5)
50				16,000 (26.5)	16,750 (41)	16,500 (49.5)	16,000 (55.5)	16,000 (60)	16,000 (63.5)
55					13,650 (33.5)	14,300 (44.5)	14,100 (51)	14,100 (56.5)	14,100 (60)
60					11,150 (24)	12,000 (38.5)	12,200 (47)	12,200 (52.5)	12,200 (57)
65						10,100 (31.5)	10,800 (42)	10,600 (48.5)	10,600 (53.5)
70						8,480 (22.5)	9,410 (36.5)	9,000 (44.5)	9,000 (50)
75							8,100 (30)	7,800 (40)	7,800 (46.5)
80							6,920 (21.5)	6,600 (34.5)	6,600 (42.5)
85								5,800 (28.5)	5,800 (38)
90								5,000 (20.5)	5,000 (33)
95									4,440 (27.5)
100									3,880 (19.5)
Minimum boom angle (°) for indicated length (no load)									0
Maximum boom length (ft.) at 0° boom angle (no load)									110

NOTE: ( ) Boom angles are in degrees.  
#LMI operating code. Refer to LMI manual for operating instructions.  
\*This capacity is based on maximum boom angle.

<b>Lifting Capacities at Zero Degree Boom Angle On Outriggers Fully Extended - 360°</b>									
Boom Angle	Main Boom Length in Feet								
	36	40	50	**60	70	80	90	100	110
0°	29,050 (29.8)	24,450 (34.2)	17,050 (44.2)	11,950 (54.6)	9,400 (64.2)	7,310 (74.2)	6,050 (84.2)	4,660 (94.2)	3,350 (104.2)

NOTE: ( ) Reference radii in feet. A6-829-101070  
\*\* Boom length is with inner-mid fully extended and outer-mid & fly fully retracted.

THIS CHART IS ONLY A GUIDE AND SHOULD NOT BE USED TO OPERATE THE CRANE. The individual crane's load chart, operating instructions and other instructional plates must be read and understood prior to operating the crane.

## RT700E SERIES 33 FT. - 56 FT. BI-FOLD SWINGAWAY BOOM EXTENSION ON OUTRIGGERS FULLY EXTENDED - 360°

Radius in Feet	33 ft. LENGTH			56 ft. LENGTH		
	0° OFFSET	25° OFFSET	45° OFFSET	0° OFFSET	25° OFFSET	45° OFFSET
	#0021	#0022	#0023	#0041	#0042	#0043
30	11,650 (77.5)					
35	11,650 (75.5)			*6,700 (78)		
40	10,850 (73.5)	*8,500 (78)		6,700 (76.5)		
45	10,000 (71.5)	8,500 (76.5)	*5,000 (78)	6,500 (74.5)		
50	9,430 (69.5)	8,500 (74)	5,000 (76.5)	6,400 (73)		
55	8,780 (67.5)	7,850 (72)	5,000 (74.5)	6,300 (71.5)	*5,100 (78)	
60	8,130 (65)	7,200 (70)	5,000 (72)	6,200 (69.5)	5,100 (77)	
65	7,620 (63)	6,750 (67.5)	4,850 (70)	5,850 (67.5)	5,100 (75)	*3,000 (78)
70	7,110 (61)	6,300 (65)	4,700 (67.5)	5,500 (66)	5,100 (73)	3,000 (77)
75	6,700 (58.5)	5,950 (63)	4,600 (65)	5,200 (64)	4,800 (71)	3,000 (75)
80	6,300 (56)	5,600 (60.5)	4,500 (62.5)	4,900 (62)	4,500 (69)	3,000 (72.5)
85	5,880 (53.5)	5,250 (58)	4,450 (59.5)	4,600 (60)	4,100 (67)	2,800 (70.5)
90	5,460 (51)	4,900 (55)	4,400 (57)	4,300 (58.5)	3,700 (65)	2,600 (68.5)
95	4,880 (48.5)	4,650 (52.5)	4,190 (54)	4,000 (56)	3,450 (62.5)	2,450 (66)
100	4,300 (45.5)	4,400 (49.5)	3,980 (51)	3,700 (54)	3,200 (60.5)	2,300 (63.5)
105	3,830 (42.5)	4,020 (46.5)	3,720 (47.5)	3,450 (52)	3,050 (58)	2,150 (61)
110	3,360 (39.5)	3,650 (43)		3,200 (49.5)	2,900 (55.5)	2,000 (58.5)
115	2,880 (36)	3,150 (39.5)		2,950 (47.5)	2,750 (53)	1,940 (55.5)
120	2,400 (32)	2,650 (35)		2,700 (45)	2,600 (50.5)	1,890 (53)
125	1,970 (27.5)	2,200 (30.5)		2,400 (42)	2,370 (47.5)	1,840 (49.5)
130	1,550 (22)			2,100 (39.5)	2,150 (44.5)	
135				1,850 (36.5)	1,950 (41.5)	
140				1,600 (33)	1,750 (37.5)	
145				1,350 (29.5)	1,450 (33.5)	
150				1,100 (25)		
Minimum boom angle (°) for indicated length (no load)	21	25	45	25	28	45
Maximum boom length (ft.) at 0° boom angle (no load)	100			90		

NOTE: ( ) Boom angles are in degrees.

A6-829-101043

#LMI operating code. Refer to LMI manual for operating instructions.

\*This capacity is based upon maximum boom angle.

### NOTES:

1. All capacities above the bold line are based on structural strength of boom extension and do not exceed 85% of tipping loads, in accordance with SAE J765.
2. 33 ft. and 56 ft. boom extension lengths may be used for single line lifting service.
3. Radii listed are for a fully extended boom with the boom extension erected. For main boom lengths less than fully extended, the rated loads are determined by boom angle. Use only the column which corresponds to the boom extension length and offset for which the machine is configured. For boom angles not shown, use the rating of the next lower boom angle.  
  
**WARNING:** Operation of this machine with heavier loads than the capacities listed is strictly prohibited. Machine tipping with boom extension occurs rapidly and without advance warning.
4. Boom angle is the angle above or below horizontal of the longitudinal axis of the boom base section after lifting rated load.
5. Capacities listed are with outriggers fully extended and vertical jacks set only.



# ON RUBBER CAPACITIES

## STATIONARY CAPACITIES 360<sub>i</sub>

Radius in Feet	#9005				
	Main Boom Length in Feet				
	36	40	50	*60	70
10	45,300 (69)	39,700 (72)			
12	41,750 (65.5)	39,700 (68.5)	29,600 (73.5)		
15	29,350 (59.5)	26,450 (63.5)	26,450 (70)	26,450 (74)	
20	17,800 (49)	17,650 (55)	17,050 (63.5)	16,250 (69)	16,250 (72)
25	11,750 (36)	11,700 (45)	11,350 (56.5)	10,850 (63.5)	10,850 (68)
30		8,040 (31.5)	7,820 (48.5)	7,470 (57.5)	7,470 (63)
35			5,400 (40)	5,120 (51.5)	5,120 (58)
40			3,660 (28)	3,200 (45)	3,430 (53)
45				1,000 (37)	2,150 (47.5)
50					1,150 (41.0)
<b>Lifting Capacities at Zero Degree Boom Angle On Rubber - Stationary 360</b>					
Boom Angle	Main Boom Length in Feet				
	36	40	50		
0 <sub>i</sub>	8,180 (29.7)	5,890 (34.2)	2,170 (44.2)		

Note: ( ) Reference radii in feet. A6-829-101048

#LMI operating code. Refer to LMI manual for instructions.

\*60 ft. boom length is with inner-mid extended and outer-mid & fly retracted.

## STATIONARY CAPACITIES DEFINED ARC OVER FRONT (See Note pg. 10)

Radius in Feet	#9005				
	Main Boom Length in Feet				
	36	40	50	*60	70
10	45,300 (69)	42,850 (72)	29,600 (76)		
12	43,650 (65.5)	41,350 (68.5)	29,600 (73.5)		
15	38,300 (59.5)	36,300 (63.5)	29,600 (70)	20,900 (74)	17,300 (76.5)
20	31,150 (49)	29,550 (55)	25,900 (63.5)	20,900 (69)	17,300 (72)
25	24,100 (36)	24,150 (45)	21,800 (56.5)	18,800 (63.5)	17,300 (68)
30		17,400 (31.5)	17,200 (48.5)	15,300 (57.5)	15,300 (63)
35			12,800 (40)	12,500 (51.5)	11,000 (58)
40			9,720 (28)	9,390 (45)	9,390 (53)
45				7,090 (37)	7,090 (47.5)
50				5,310 (26.5)	5,310 (41)
55					3,870 (33.5)
60					3,170 (24)
<b>Lifting Capacities at Zero Degree Boom Angle On Rubber - Defined Arc Over Front</b>					
Boom Angle	Main Boom Length in Feet				
	36	40	50	*60	70
0 <sub>i</sub>	17,600 (29.7)	13,600 (34.2)	7,750 (44.2)	4,010 (54.6)	2,670 (64.2)

Note: ( ) Reference radii in feet.

A6-829-101047

#LMI operating code. Refer to LMI manual for instructions.

\*60 ft. boom length is with inner-mid extended and outer-mid & fly retracted.

## ON RUBBER CAPACITIES (cont'd.)

### PICK & CARRY CAPACITIES (UP TO 2.5 MPH) - BOOM CENTERED OVER FRONT (See note 7)

Radius in Feet	<b>#9006</b>				
	Main Boom Length in Feet				
	36	40	50	*60	70
10	42,500 (69)	37,600 (72)	30,700 (76)		
12	42,500 (65.5)	37,600 (68.5)	30,700 (73.5)	23,450 (77)	
15	37,600 (59.5)	37,600 (63.5)	30,700 (70)	19,700 (74)	16,250 (76.5)
20	32,950 (49)	32,900 (55)	30,700 (63.5)	19,700 (69)	16,250 (72)
25	24,100 (36)	24,150 (45)	23,850 (56.5)	19,700 (63.5)	16,250 (68)
30		17,400 (31.5)	17,200 (48.5)	16,800 (57.5)	16,250 (63)
35			12,800 (40)	12,500 (51.5)	12,500 (58)
40			9,720 (28)	9,390 (45)	9,390 (53)
45				7,090 (37)	7,090 (47.5)
50				5,310 (26.5)	5,310 (41)
55					3,870 (33.5)
60					3,090 (24)
<b>Lifting Capacities at Zero Degree Boom Angle On Rubber - Pick &amp; Carry</b>					
Boom Angle	Main Boom Length in Feet				
	36	40	50	*60	70
0°	17,600 (29.7)	13,600 (34.2)	7,750 (44.2)	4,010 (54.6)	2,670 (64.2)

Note: ( ) Reference radii in feet.

A6-829-101049

#LMI operating code. Refer to LMI manual for instructions.

\*60 ft. boom length is with inner-mid extended and outer-mid & fly retracted.

### NOTES TO ALL RUBBER CAPACITY CHARTS:

1. Capacities are in pounds and do not exceed 75% of tipping loads as determined by test in accordance with SAE J765.
2. Capacities are applicable to machines equipped with 29.5x25 (28 ply) tires at 65 psi cold inflation pressure.
3. Defined Arc - Over front includes 6° on either side of longitudinal centerline of machine (ref. drawing C6-829-003529).
4. Capacities appearing above the bold line are based on structural strength and tipping should not be relied upon as a capacity limitation.
5. Capacities are applicable only with machine on firm level surface.
6. On rubber lifting with boom extensions not permitted.
7. For pick and carry operation, boom must be centered over front of machine, mechanical swing lock engaged and load restrained from swinging. When handling loads in the structural range with capacities close to maximum ratings, travel should be reduced to creep speeds.
8. Axle lockouts must be functioning when lifting on rubber.
9. All lifting depends on proper tire inflation, capacity and condition. Capacities must be reduced for lower tire inflation pressures. See lifting capacity chart for tire used. Damaged tires are hazardous to safe operation of crane.
10. Creep - not over 200 ft. of movement in any 30 minute period and not exceeding 1 mph.

## WEIGHT REDUCTIONS FOR LOAD HANDLING DEVICES

<b>33 FT. - 56 FT. FOLDING BOOM EXTENSION</b>	
*33 ft. Extension (Erected) -	5,080 lb.
*56 ft. Extension (Erected) -	11,330 lb.

\*Reduction of main boom capacities  
(no deduct required for stowed boom extension)

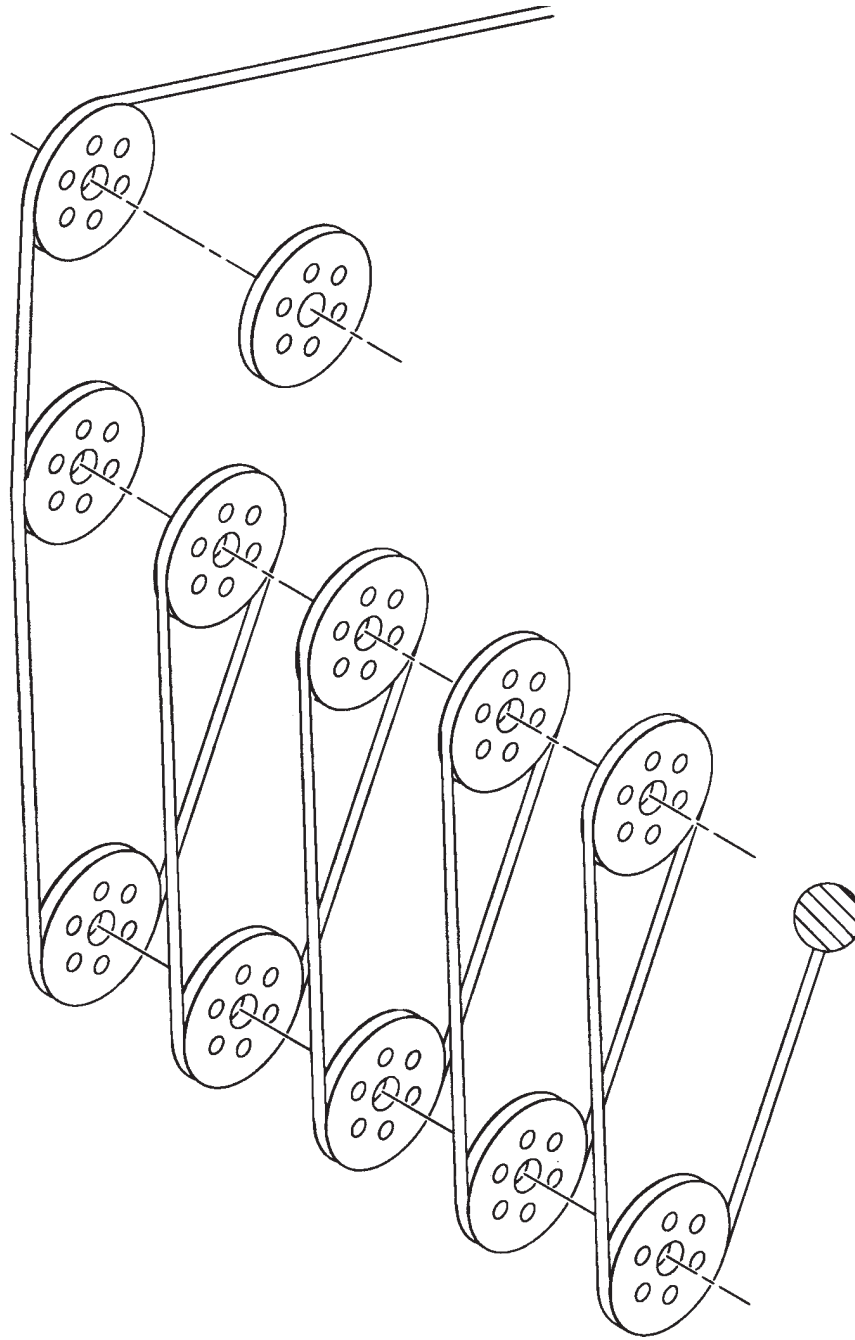
AUXILIARY BOOM NOSE	137 lb.
HOOKBLOCKS and HEADACHE BALLS:	
60 Ton, 5 Sheave	1250 lb.+
50 Ton, 4 Sheave	1000 lb.+
50 Ton, 3 Sheave*	1000 lb.+
8.3 Ton Headache Ball (non-swivel)	350 lb.+
8.3 Ton Headache Ball (swivel)*	370 lb.+

\* DO NOT use with 18x19 class of rope.

+Refer to rating plate for actual weight.

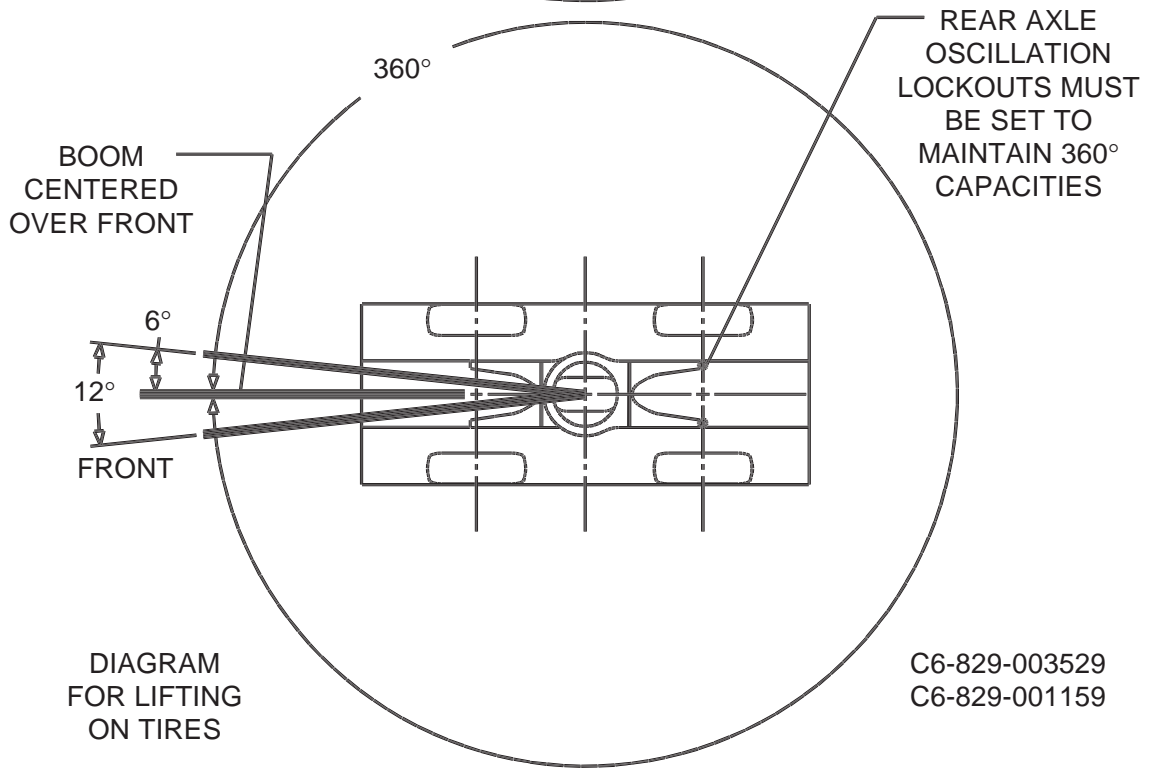
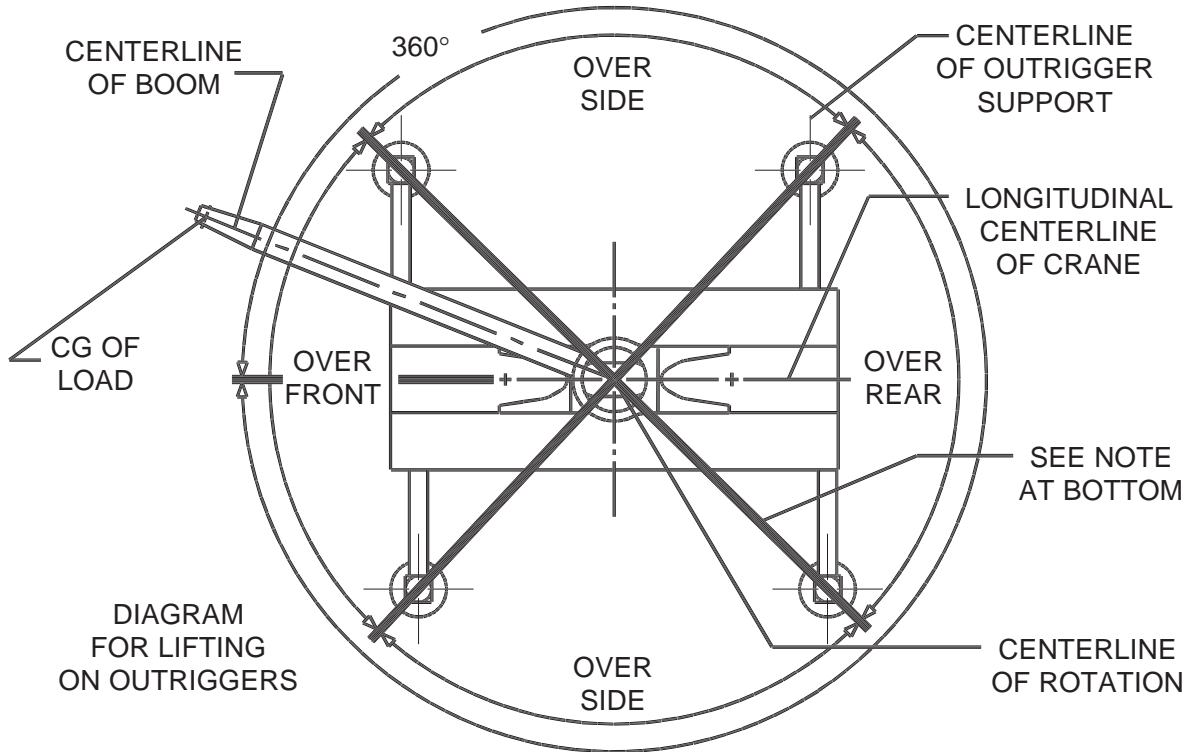
When lifting over swingaway and/or jib combinations, deduct total weight of all load handling devices reeved over main boom nose directly from swingaway or jib capacity.

NOTE: All load handling devices and boom attachments are considered part of the load and suitable allowances **MUST BE MADE** for their combined weights. Weights are for Grove furnished equipment.



### LINE PULLS AND REEVING INFORMATION

HOISTS	CABLE SPECS.	PERMISSIBLE LINE PULLS	NOMINAL CABLE LENGTH
Main & Aux.	3/4" (19 mm) 18x19 Class Rotation Resistant Min. Breaking Str. 64,600 lb.	12,920 lb.	550 ft.
Main	3/4" (19 mm) 6x37 Class, EIPS, WRC Special Flexible Min. Breaking Str. 58,800 lb.	16,800 lb.	500 ft.



C6-829-003529  
C6-829-001159

BOLD LINES DETERMINE THE LIMITING POSITION OF ANY LOAD FOR OPERATION WITHIN WORKING AREAS INDICATED

WORKING AREA DIAGRAM

**Grove Worldwide - World Headquarters**

*Western Hemisphere, Asia/Pacific*  
1565 Buchanan Trail East  
P.O. Box 21  
Shady Grove, Pennsylvania 17256,  
U.S.A.  
Tel: [Int + 1] (717) 597-8121  
Fax: [Int + 1] (717) 597-4062

**Grove Europe Limited\***

*Europe, Africa, Middle East  
(Sales & Marketing)*  
1 Emperor Way  
Doxford International Business Park  
Sunderland SR3 3XR, England  
Tel: [Int + 44] (191) 515-7253  
Fax: [Int + 44] (191) 564-0442

**Grove Europe Limited\***

*UK & EIRE (Sales & Service)*  
Telford Road, Bicester  
Oxfordshire OX6 0TZ, England  
Tel: [Int + 44] (1869) 878-890  
Fax: [Int + 44] (1869) 878-891

**Deutsche Grove GmbH**

*Germany (Sales & Service)*  
Helmholtzstrasse 12, Postfach 5026  
D-40750 Langenfeld, Germany  
Tel: [Int + 49] (2173) 8909-0  
Fax: [Int + 49] (2173) 8909-30

**Deutsche Grove GmbH**

*Wilhelmshaven Works*  
Industriegelände West, Postfach 1853  
D-26358 Wilhelmshaven, Germany  
Tel: [Int + 49] (4421) 294-0  
Fax: [Int + 49] (4421) 294-301

**Grove France S.A.**

*France (Sales & Service)*  
16, Chaussée Jules-César, 95520  
OSNY  
B.P. 203, 95523 CERGY PONTOISE  
CEDEX  
France  
Tel: [Int + 33] (1) 303-13150  
Fax: [Int + 33] (1) 303-86085

**Grove Asia/Pacific - Regional Office**

*Asia/Pacific, Near East*  
171 Chin Swee Road  
#10-09 San Centre  
Singapore 16987  
Tel: [Int + 65] 536-6112  
Fax: [Int + 65] 536-6119

**Grove China - Representative Office**

Room 713, Towercrest Plaza  
No. 3 Mai Zi Dian West Road  
Chao Yang District  
Beijing, China 100016  
Tel: [Int + 86] (10) 64 67 16 90  
Fax: [Int + 86] (10) 64 67 16 91

**Grove Middle East**

P.O. Box 290  
Dubai, United Arab Emirates  
Tel: [Int + 971] (4) 3484478  
Fax: [Int + 971] (4) 3484478

**Lifetime Customer Support**

*Western Hemisphere, Asia/Pacific*  
1086 Wayne Avenue  
Chambersburg, Pennsylvania USA  
Tel: [Int + 1] (717) 263-5100  
Fax: [Int + 1] (717) 267-0404

*Europe, Africa, Middle East*

Grove Europe Limited\*  
1 Emperor Way  
Doxford International Business Park  
Sunderland SR3 3XR, England  
Tel: [Int + 44] (191) 565-6281  
Parts Fax: [Int + 44] (191) 515-7475  
Service Fax: [Int + 44] (191) 515-7340

\*Grove Europe Limited,  
Registered in England,  
Number 1845128.

<http://www.grovetworldwide.com>

**Distributed By:**

**Montgomery Cranes**  
972-790-2400

Constant improvement and engineering progress make it necessary that we reserve the right to make specification, equipment, and price changes without notice. Illustrations shown may include optional equipment and accessories and may not include all standard equipment.

GROVE® and GROVE LOGO are registered trademarks of GROVE in the U.S. and/or other countries. Copyright© 2000 GROVE. All rights reserved.